



CITY OF SMYRNA

**ADDENDUM #2
FOR
RFP 18-010**

**PUBLIC WORKS DETENTION POND, STORM DRAIN
REPLACEMENT, & RELINING**

February 7, 2018

OWNER: CITY OF SMYRNA
2800 KING STREET
SMYRNA, GA 30080

PROGRAM MANAGER: CROY ENGINEERING, LLC
200 N. COBB PARKWAY, SUITE 413
MARIETTA, GA 30062



TABLE OF CONTENTS
PUBLIC WORKS DETENTION POND, STORM DRAIN REPLACEMENT, &
RELINING
RFP 18-010
ADDENDUM #2

- I. Revised Bid Proposal Form
- II. Revised Plan Sheet

BID PROPOSAL FORM

CONTRACTOR NAME: _____

DATE: _____

1. BASE BID:

Pursuant to and in compliance with the Advertisement for Bids and the Specifications relating to:

PROJECT NAME:

**Public Works Complex Detention Pond;
Storm Drain Replacement & Pipe Relining**

BID NUMBER: RFP 18-010

including Addenda (list addenda, if any) _____, the undersigned, having become thoroughly familiar with terms and conditions of the specifications and with local conditions affecting the performance, progress and cost of the work that is to be completed, hereby proposes and agrees to fully perform the work within the One Hundred Twenty Days (120) days timeframe stated and in accordance with the specifications including furnishing any or all services, labor, materials, and equipment authorized by the City and to do all the work required to complete said work in accordance with the specifications for the following unit prices:

Item Number	Item Description	Unit	Quantity	Unit Price	Bid Price
1	Clearing, Grubbing & Grading Complete	1	LS		
2	42" RCP (0 - 8ft. Cut)	62.0	LF		
3	36" RCP (0 - 8ft. Cut)	7.0	LF		
4	36" RCP (8 - 16ft. Cut)	13.0	LF		
5	36" RCP (16 - 24ft. Cut)	15.0	LF		
6	36" RCP (24-32ft. Cut) <i>(Includes special Bedding)</i>	14.0	LF		
7	36" RCP (>32ft. Cut) <i>(Includes Special Bedding)</i>	75.0	LF		
8	36" CMP - CIPP (Structural) <i>(16-31 ft of cover)</i>	273.0	LF		

Item Number	Item Description	Unit	Quantity	Unit Price	Bid Price
9	6'-0" PreCast Conc OCS Complete <i>(Includes special Bedding, Bouyancy Collar, Top slab with MH, etc.)</i>	1.0	Ea		
10	Remove 18" HDPE & place on Public Works site	40.0	LF		
11	Remove 24" CPP & place on Public Works site	20.0	LF		
12	4' dia. Concrete MH (0'-8') <i>(Includes 12" bedding stone & Top slab with Ring & Cover)</i>	1	Ea		
13	5' dia. Junction Box (0 - 8ft. Cut) <i>(Includes 18" bedding stone & Top slab with Ring & Cover)</i>	1	Ea		
14	5' dia. Extra Depth (8 - 16ft. Cut)	8.0	VF		
15	5' dia. Extra Depth (16 - 24ft. Cut)	8.0	VF		
16	5' dia. Extra Depth (24 - 32ft. Cut)	8.0	VF		
17	5' dia. Extra Depth (> 32ft. Cut)	3.9	VF		
18	36" GaDOT-1125 Outlet w/Baffles	3.05	CY		
19	42" GaDOT-1125 Outlet w/Baffles	3.87	CY		
20	Remove 24" HDPE & Relocate 24" Concrete Headwall	1	Ea		
21	Remove & Replace 6' C/L Fence	350	LF		
22	6' C/L x 12' Gate	1	Ea		
23	Construction Exit (Co) <i>(Includes Geo-Textile Underlayment)</i>	3	Ea		
24	Tree Protection <i>(prescribed Tree Protection Management)</i>	750.0	LF		
25	Storm Drain Outlet Protection (St) <i>(Includes Geo-Textile Underlayment)</i>	100.0	TN		
26	Rock Filter Dam (Rd) <i>(Includes Geo-Textile Underlayment)</i>	2.0	Ea		
27	Disturbed Area Stabilization (Ds1) <i>(Mulch Only)</i>	5,000	SY		
28	Disturbed Area Stabilization (Ds2) <i>(Temporary Seeding)</i>	5,000	SY		
29	Disturbed Area Stabilization (Ds3) <i>(Permanent Seeding)</i>	5,000	SY		
30	Sediment Barrier (Sd1-NS) (Type-A)	500.0	LF		

Item Number	Item Description	Unit	Quantity	Unit Price	Bid Price
31	Sediment Barrier (Sd1-S) (Type-C)	250.0	LF		
32	Slope Matting (Ss)	3,500.0	SY		
33	NPDES Monitoring	3.0	Month		
34	Contingencies	1	LS		60,000

Total Base Bid Price

\$ _____

2. ALTERNATES:

NOT APPLICABLE

3. TIME OF COMPLETION:

Bidder hereby agrees to commence actual physical work on the site with an adequate force and equipment within five (5) days of a date to be specified in a written order of the City (Notice to Proceed), and shall be finally completed within One Hundred Twenty Days (120) days of the specified date.

The Undersigned agrees that this bid may not be revoked or withdrawn after the time set for the opening of bids but will remain open for acceptance for a period of ninety (90) days following such time.

4. BID SECURITY:

Bid security in the amount of five percent (5%) of the base bid price is attached in the amount of _____ Dollars (\$_____), which is to become the property of the City of Smyrna in the event the contract and all required bonds are not executed within the time set forth, for the delay and additional cost caused the City.

The Undersigned agrees that upon receipt of the notice of acceptance of his bid (Notice of Award), he will, within five (5) days from the Notice of Award, execute the formal contract and will deliver a surety bond for the faithful performance of the Contract and such other bonds and insurance as required by the specifications.

The Undersigned further agrees that if he fails or neglects to appear within the specified time to execute the contract of which this bid, the bid documents and the contract documents are a part, the Undersigned will be considered as having abandoned the contract, and the bid security bond accompanying this bid will be forfeited to the City by reason of such failure on the part of the Undersigned.

If awarded a contract, the Undersigned's surety will be _____.

Respectfully submitted,

Signature of Individual: _____

Printed Name & Title: _____

Doing Business as/for: _____

Email Address: _____

Business Address: _____

Phone Numbers (Office, Fax, Mobile): _____

SMYRNA PUBLIC WORKS
COMPLEX DETENTION ANALYSIS

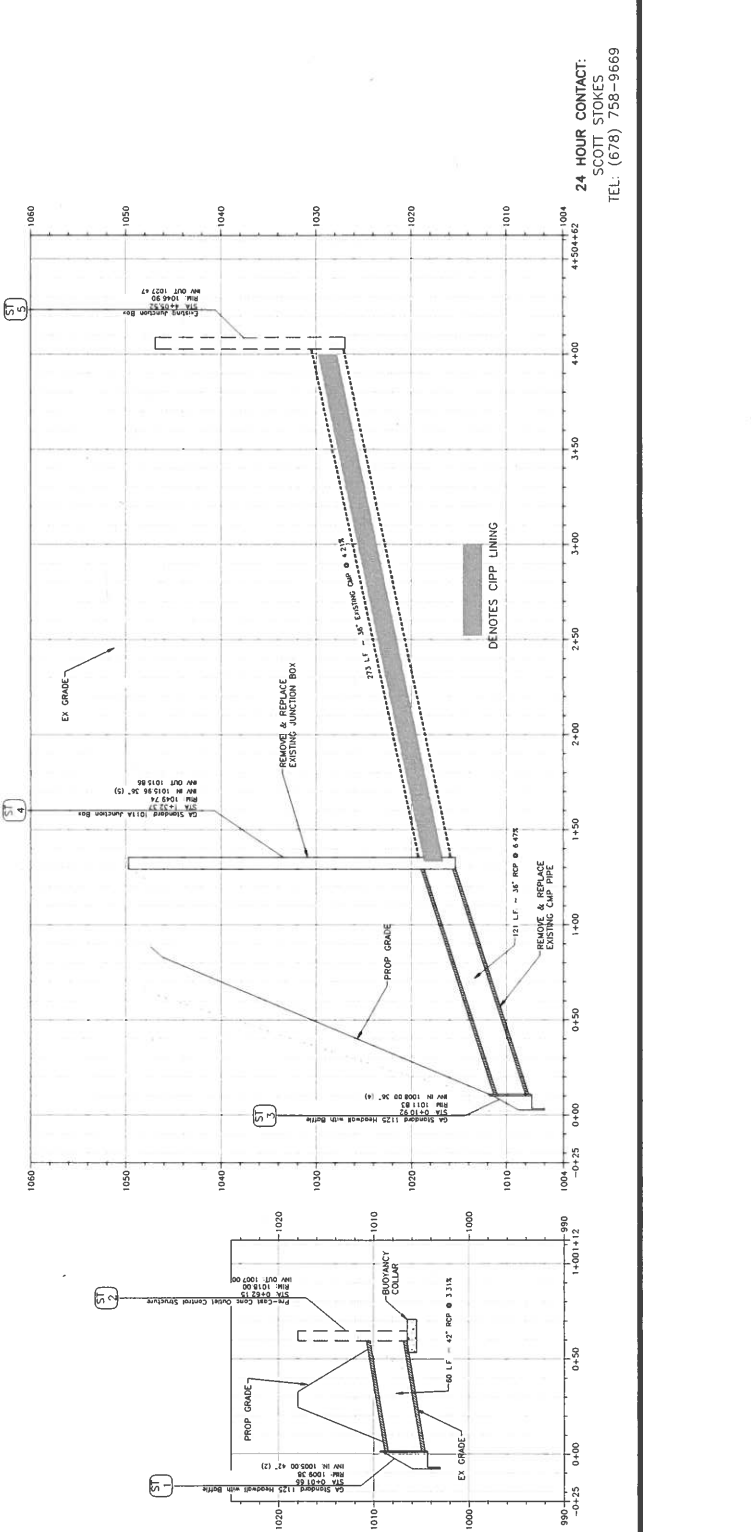
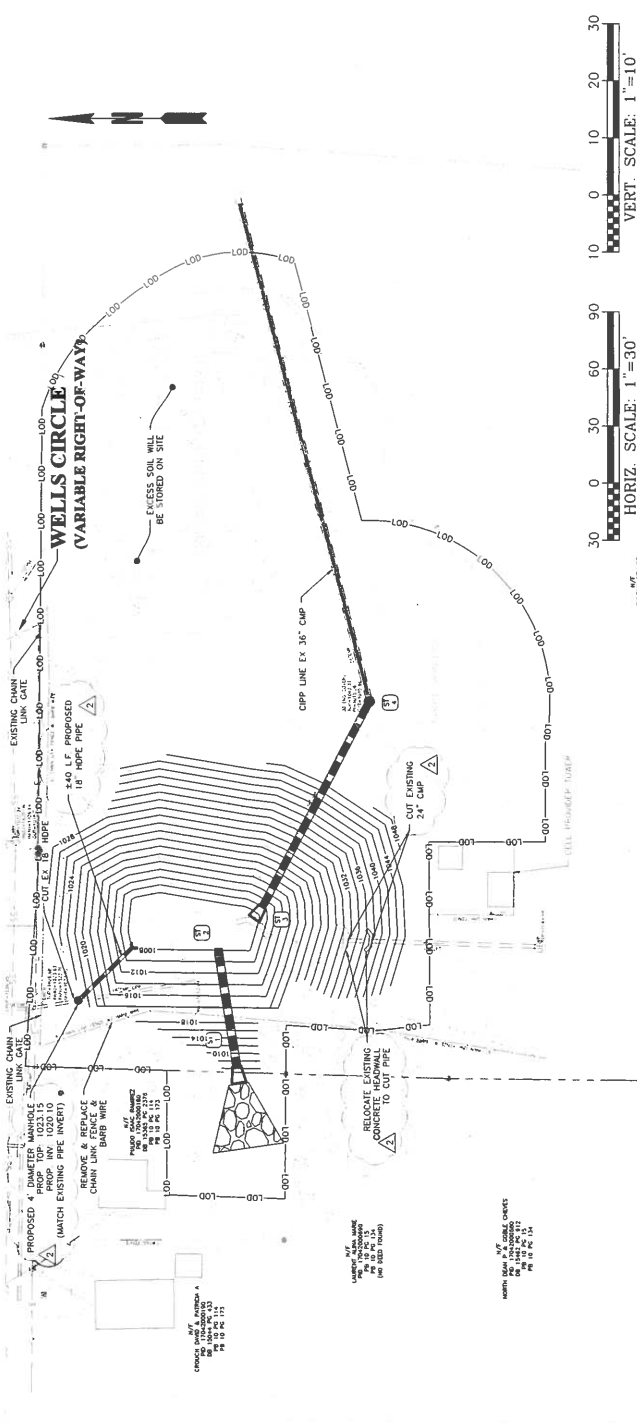


2700 NCR#1 - 6888 MARKET, BLDG. 400, SUITE 413
MARIETTA, GA 30067
PHONE: (770) 971-5427 FAX: (770) 571-8520

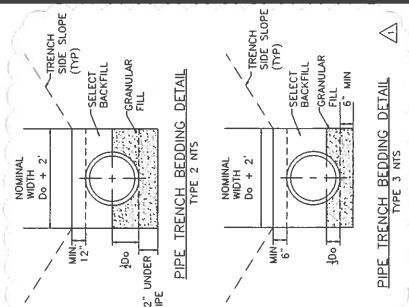
DRAWER NUMBER		1263.00	
PROJECT NUMBER		1263.00	
DATE		01/19/18	
DRAWN BY		AS SHOWN	
CHECKED BY		AS SHOWN	
SCALE		AS SHOWN	
REVISION			
DATE			
NO.			
REVISION			
DATE			
NO.			
REVISION			
DATE			
NO.			
REVISION			
DATE			
NO.			

GSWICC CERT #00021
PLAN & PROFILE

C3
SHEET 3 OF 9



24 HOUR CONTACT:
SCOTT STOKES
TEL: (678) 758-9669





Please complete and submit the Acknowledgements below:

ADDENDUM #2

REVISED ACKNOWLEDGEMENTS

_____ We acknowledge receipt of Addendum 2 - _____ and its contents are fully incorporated into RFP 18-010.

Company Name

Signature

Printed Name

Title

Date _____